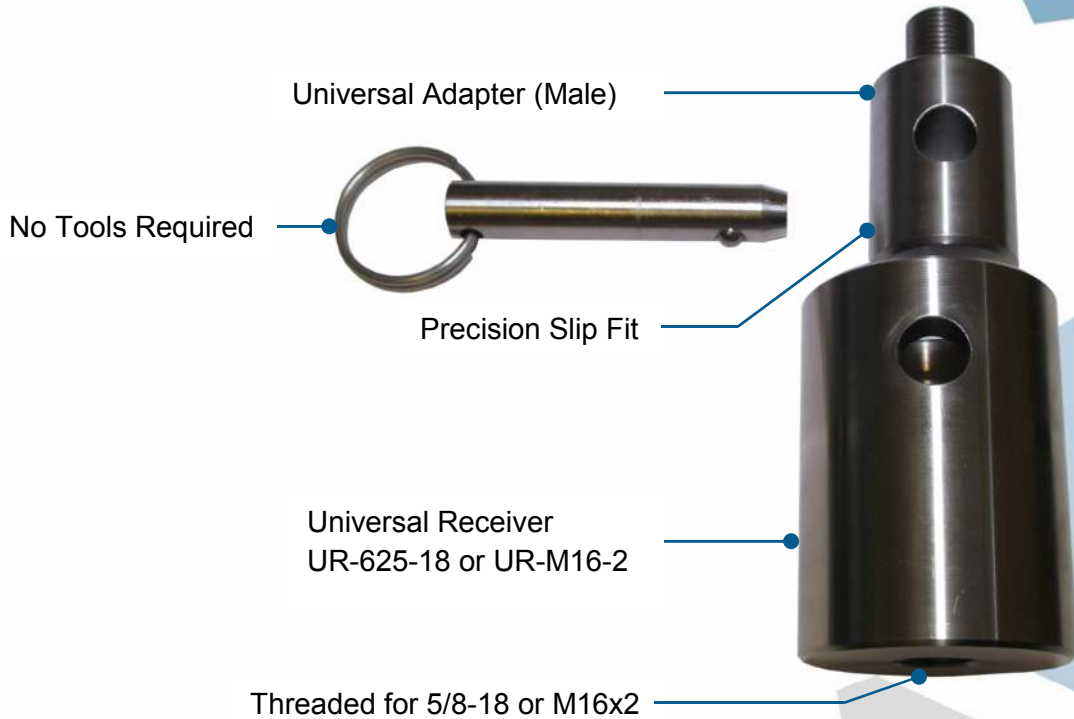
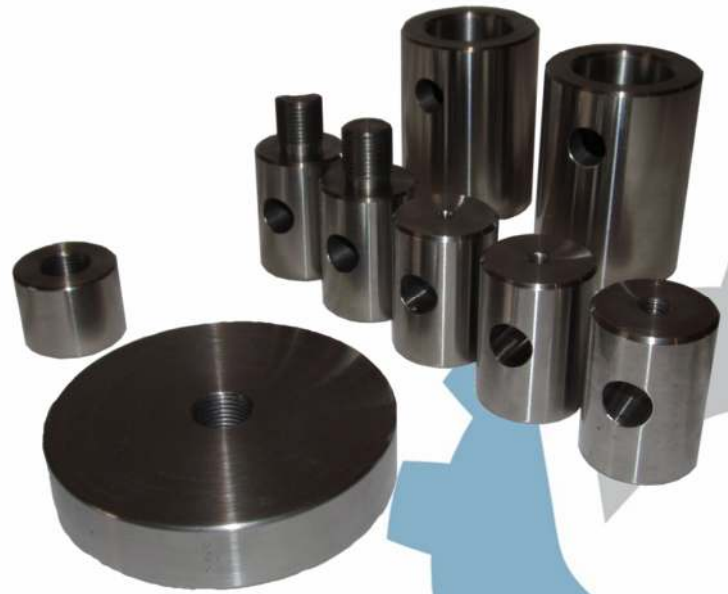


Plug and Play Adapter System

Any load cell or force gage can be easily connected through a standardized precision interface to the PMLD-5000XLT without tools! Choose from the standard set of universal adapters or send the specifications of your device to Norton Global for a custom engineered adapter!



Universal Receivers - UR-625-18, UR-M16-2

The universal receiver is the standardized platform that enables quick installation and changeover for all adapters.

Key Features:

- ✓ Stainless steel construction
- ✓ Plug and play with the PMLD-5000XLT
- ✓ Rated for ±10,000-lbs or 50kN
- ✓ No tools required for installation or adjustment
- ✓ Threaded with 5/8-18 or M16x2

Universal Adapters

The universal adapters are made to mate with the force gage or load cell that is intended to be calibrated.

Key Features:

- ✓ Stainless steel construction
- ✓ Plug and play with UR-625-18 and UR-M16-2
- ✓ No tools required
- ✓ Many standard thread sizes available



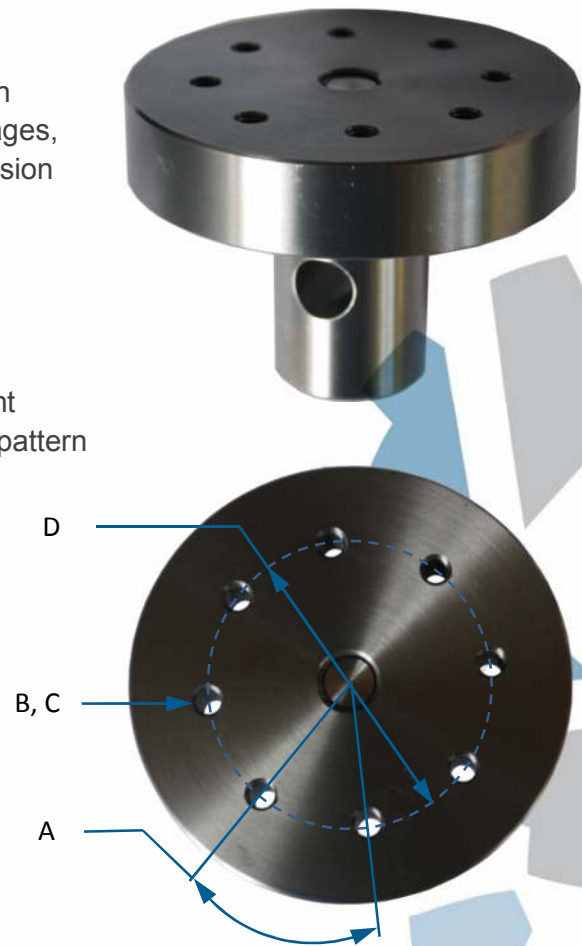
Part Number	Style	Thread
UA-625-18	Male	5/8-18
UA-500-13	Male	1/2-13
UA-500-20	Male	1/2-20
UA-M16-2	Male	M16X2
UA-010-32	Female	#10-32
UA-313-18	Female	5/16-18
UA-M06-1	Female	M6x1

Compression Platens

The compression platens are used for calibrations on button style load cells, low profile load cells, force gages, and Omega load cells that are not equipped with tension adapters.

Key Features:

- ✓ Stainless steel construction
- ✓ Plug and play with the PMLD-5000XLT
- ✓ No tools required for installation or adjustment
- ✓ Available as a flat plate or with a circular hole pattern
- ✓ Custom size and hole patterns available



Part Number	Style	Disk Ø In [mm]	Hole Pattern				Adapter Required
			A	B Holes	C Thd	D in [mm]	
CP-3500-500-13	Flat	3.5 [89]			NONE		UA-500-13
CP-3500-625-18	Flat	3.5 [89]			NONE		UA-625-18
CP-3500-500-13-01	Circular Hole Pat.	3.5 [89]	45°	8	1/4-20	2.25 [57]	UA-500-13
CP-M16-625-18-01	Circular Hole Pat.	3.5 [89]	45°	8	1/4-20	2.25 [57]	UA-625-18

Blunt Compression Tip – BCT-1250-625-18

The blunt compression tip is used for compression only calibrations on button style load cells, force gages, and pancake style load cells that are not equipped with a tension adapter.

Key Features:

- ✓ Stainless steel construction
- ✓ Plug and play with the PMLD-5000XLT
- ✓ No tools required for installation or adjustment
- ✓ Requires one UA-625-18



Blunt Compression Tip
BCT-1250-625-18

Compression Platen
CP-3500-625-18

