

The FGA-500 adapter system is designed to easily and quickly connect dozens of common force gages to Norton Global force calibration and verification systems. See the list of pre-verified force gages.

### Key Features:

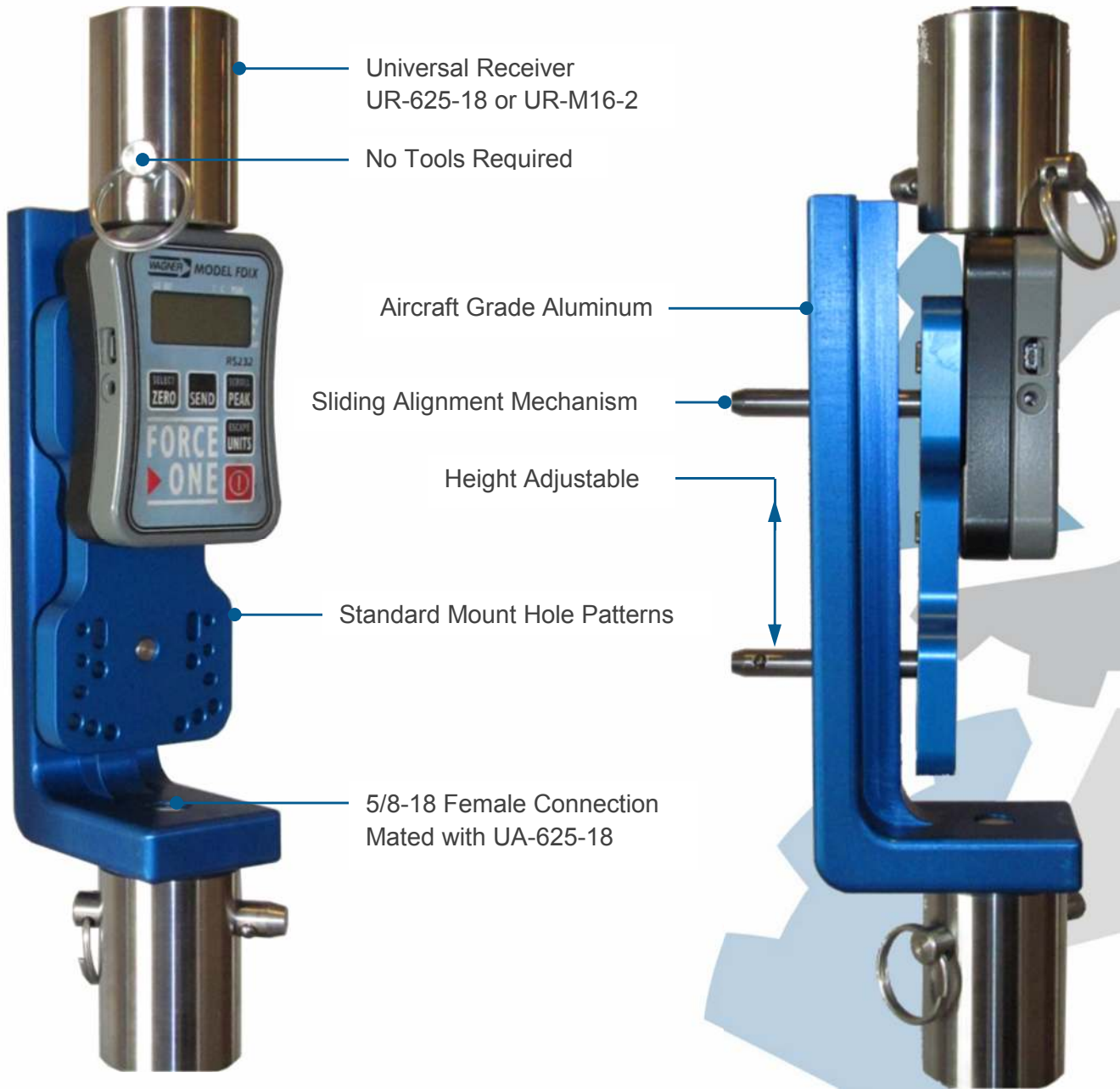
- ✓ Mates with many standard force gages
- ✓ 500-lbf (2.2kN) in tension and compression
- ✓ Plug and play with the PMLD-5000XLT
- ✓ No tools required for installation or adjustment
- ✓ Self-aligning slider mechanism automatically corrects offsets
- ✓ Height adjustable adapter plate for a variety of force gage heights
- ✓ Aircraft grade aluminum and stainless steel construction

### Companion Products:

- Universal Receivers: UR-625-18, UR-M16-2
- FCS-5000XLT, FVS-5000XLT, PMLD-5000XLT
- Plug and Play Adapters: All



**FGA-500 Key Features**



**FGA-500 Mounting Configurations**



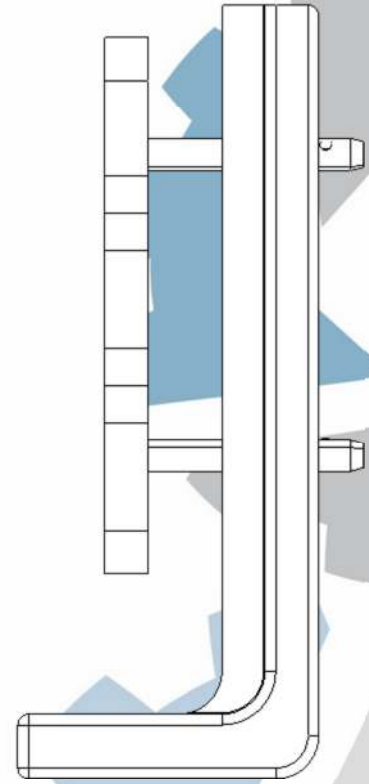
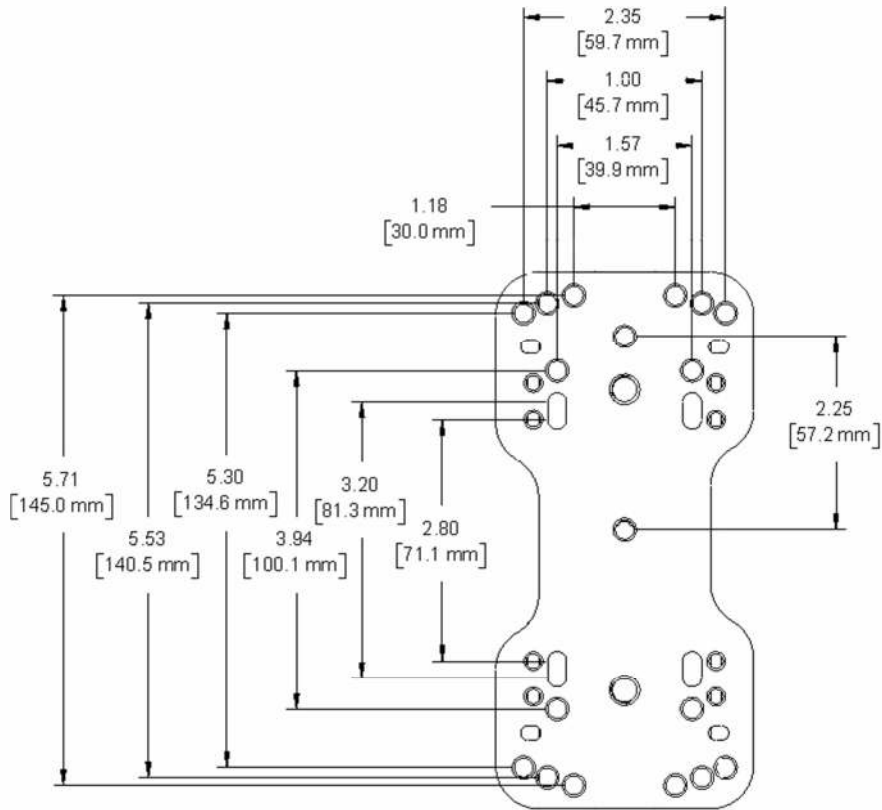
UPRIGHT orientation in PMLD-5000XLT



INVERTED orientation in PMLD-5000XLT



**FGA-500 Adapter Plate Dimensional Specifications**

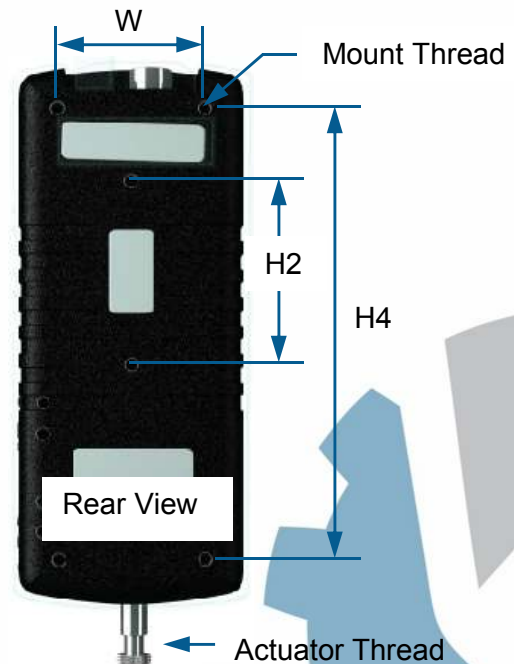


### Typical Force Gage Mount Hole Patterns

A typical force gage is specified with dimensions shown to the right.

The following information is needed to determine if the force gage will work with the standard FGA-500:

1. Mount holes pattern and dimensions. Some force gages have a 2-hole pattern, a 4-hole pattern, or both.
2. Mount thread diameter and pitch.
3. Actuator thread type (male or female), diameter, and pitch.



Force gages that are verified to fit with the FGA-500. Many more models are possible. Dimensions are in inches unless otherwise specified.

Mfg.	Model(s)	Thread Type	Actuator Thread	Rear Offset	Mount Thread	Hole Pattern		
						W	H4	H2
Chatillon	DFE, DFE II	M	#10-32	0.69	10-32	1.8	5.53	2.25
Chatillon	DFE II	M	5/16-18	0.69	10-32	1.8	5.53	2.25
Chatillon	LG, DPP	M	#10-32	0.67	#10-32	NA	NA	2.25
Dillon	GL	M	M6x1	0.52	M4x0.7	1.57	3.15	NA
Dillon	GS, GTX ≤ 1000N	M	M6x1	0.6	10-32	NA	NA	2.25
Dillon	GS, GTX > 1000N	F	5/16-18	0.6	M5	NA	NA	2.25
Imada	Z2, ZP	M	M6x1	0.47	M4x0.7	1.57	3.94	NA
Imada	Z2, ZP	M	#10-32	0.47	M4x0.7	1.57	3.94	NA
Imada	DS2	M	#10-32	0.47	M4x0.7	1.57	3.94	NA
Imada	FB, MF, PS	M	#10-32	0.68	M4x0.7	1.57	3.93	NA
Imada	FB, MF, PS	M	M6x1	0.68	M4x0.7	1.57	3.93	NA
MARK-10	CG	F	1/2-20	0.65	10-32	2.35	5.3	NA
MARK-10	MG-200	M	#10-32	0.42	#6-32	2.13	2.8	NA
MARK-10	M4-20	M	#10-32	0.42	#6-32	2.13	4.50	NA
Omega	DFG ≤ 110 lb	M	#10-32	0.47	M4x0.7	1.57	3.94	NA
Omega	DFG >220 lb	M	M6	0.47	M4x0.7	1.57	3.94	NA
Shimpo	FGE	M	M4X0.7	0.51	M4x0.7	1.57	2.95	NA
Shimpo	FGE	M	M6x1	0.51	M4x0.7	1.57	2.95	NA
Shimpo	MF	M	M6x1	0.71	M3	1.18	5.71	NA
Wagner	FDIX - All	M	#10-32		#6-32	2.13	3.65	NA